



MOTOROLA

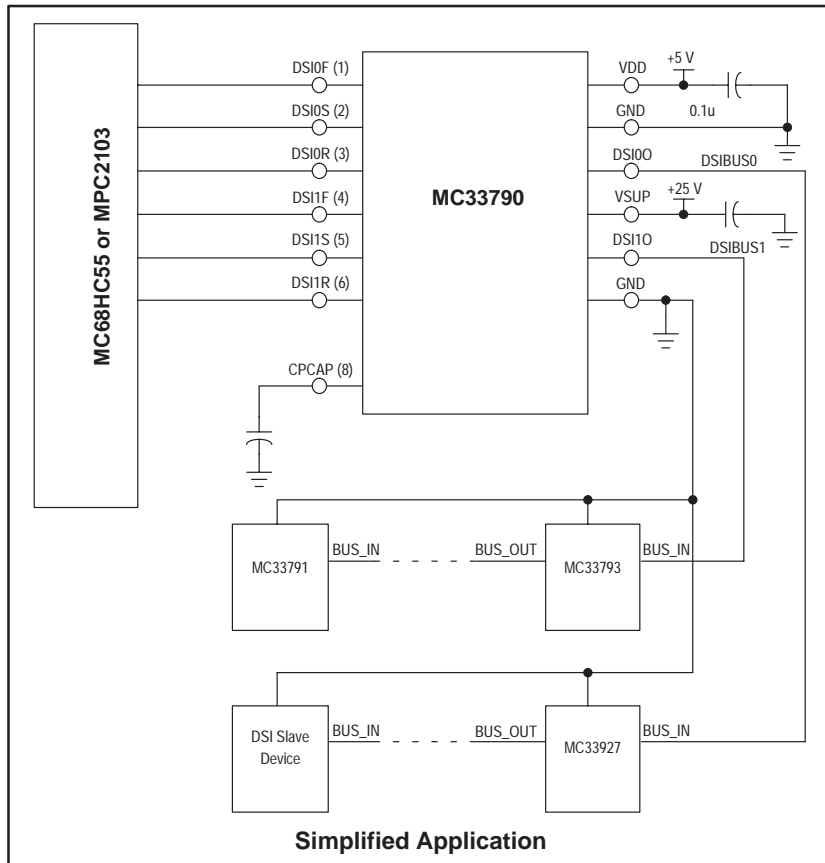
Advance Information

DSI Physical Interface Device

The MC33790 is a two channel physical layer interface IC for the Distributed Systems Interface (DSI) bus. It is designed to meet automotive requirements. It can also be used in other non-automotive applications. In providing two standard DSI busses, it supports bi-directional communication between the slave and master ICs. Some slave devices derive a regulated 5 volts from the bus which can be used to power sensors, eliminating the need for additional circuitry and wiring.

Features

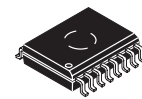
- Two Independent DSI Busses
- Pinout Matched to MC68HC55 (SPI to DSI Logic)
- Waveshaped Bus Output
- Independent Thermal Shutdown
- 2kV ESD Capability



MC33790

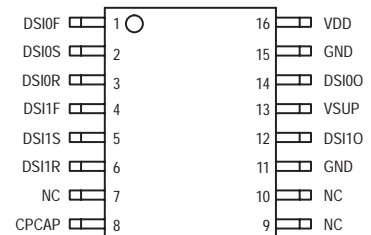
TWO CHANNEL DISTRIBUTED SYSTEM INTERFACE (DSI) PHYSICAL INTERFACE DEVICE

SEMICONDUCTOR TECHNICAL DATA



DW Suffix
16-Lead SOIC
Plastic Package
CASE 751G

PIN CONNECTIONS



ORDERING INFORMATION

Device	Temperature Range	Package
MC33790DW	-40°C to +85°C	SO-16W

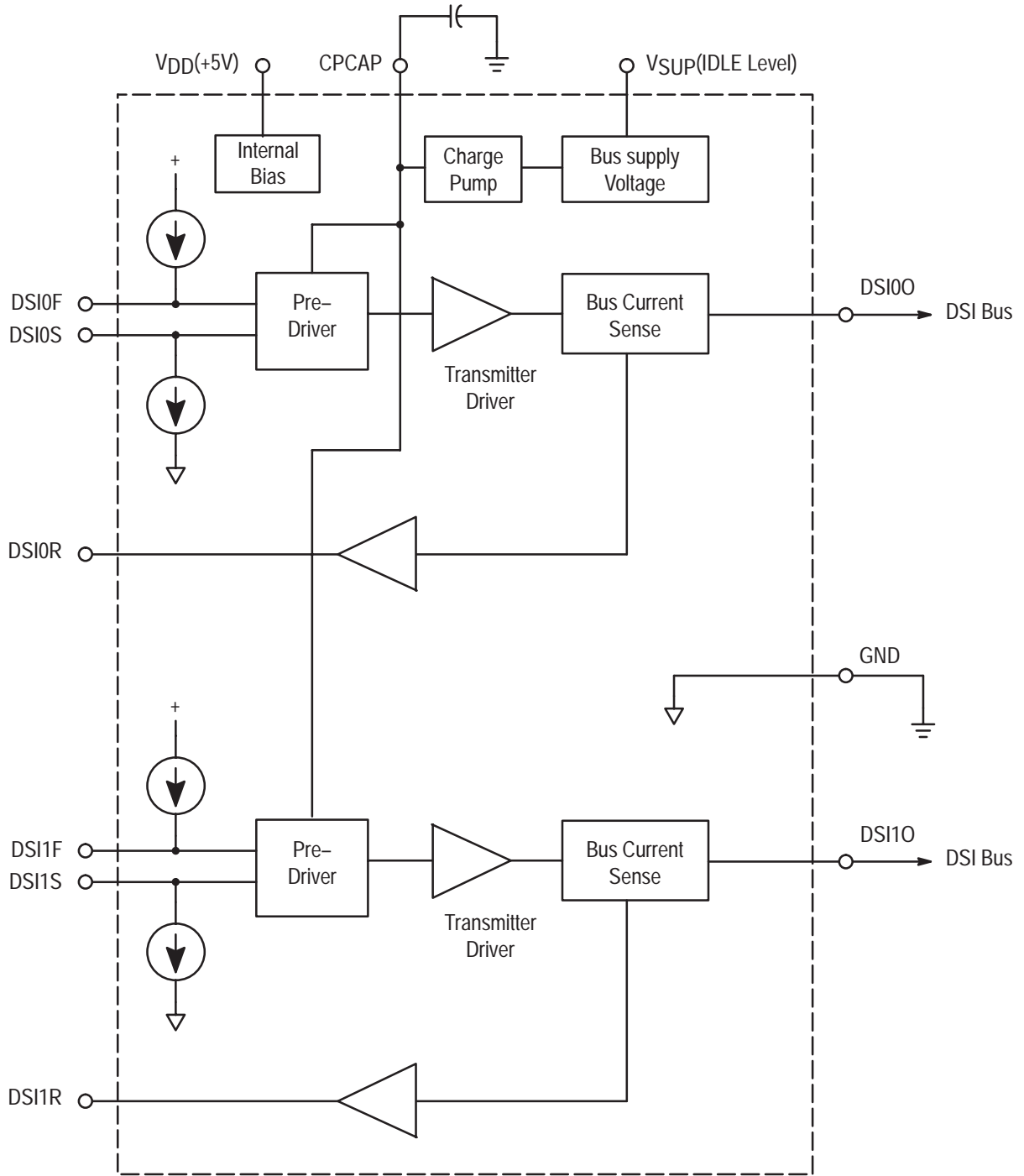


Figure 1. Simplified Block Diagram

PIN FUNCTION DESCRIPTION

Pin	Symbol	Description
1	DSI0F	This logic input controls the frame output for DSI channel 0 per Table 1.
2	DSI0S	This logic input controls the signalling output for DSI channel 0 per Table 1
3	DSI0R	This logic output provides the return data for DSI channel 0 per Table 1.
4	DSI1F	This logic input controls the frame output for DSI channel 1 per Table 1.
5	DSI1S	This logic input controls the signalling output for DSI channel 1 per Table 1.
6	DSI1R	This logic output provides the return data for DSI channel 1 per Table 1.
7	NC	Unused
8	CPCAP	Charge pump capacitor. Used to store and filter charge pump output.
9	NC	Unused.
10	NC	Unused.
11	GND	Circuit and bus ground return.
12	DSI1O	DSI bus 1 input/output.
13	VSUP	Idle level supply input. The voltage supplied to this pin sets the idle level on the DSI bus.
14	DSI0O	DSI bus 0 input/output.
15	GND	Circuit and bus ground return.
16	VDD	5 volt logic supply input.

MAXIMUM RATINGS (All voltages are with respect to ground unless otherwise noted)

Rating	Symbol	Value	Limit
Supply Voltage Continuous Load Dump – t < 300mS	V _{SUP} V _{SUP(t)}	-0.5 to 25 40	V V
Maximum Voltage on Input/Output pins V _{DD} DSIxS, DSIxF, – R = 0 Ω DSIxO – R = 0 Ω		-0.3 to 5.5 -0.3 to V _{DD} +0.3 -0.3 to V _{SUP} +0.3	V V V
Operating Temperature	T _A	-40 to +85	°C
Storage Temperature	T _{stg}	-55 to +150	°C
Operating Junction Temperature	T _J	-40 to +150	°C
Lead Temperature (IR Reflow soldering for >60 seconds at >183°C), 10 seconds at >215°C	T _{solder}	230	°C
Continuous Current per Pin	V _{DD} DSIxR V _{SUP}	0 to 10 -2.5 to 5.0 0 to 150	mA mA mA
Thermal Resistance Junction to Ambient	∅JA	45	°C/W
Thermal Shutdown	T _{SD}	155 to 190	°C
ESD1 Voltage (All Pins) Human Body Model (Note 1) Machine Model (Note 2)	V _{ESD1} V _{ESD2}	±2000 ±200	V V

Note 1: ESD1 performed in accordance with the Human Body Model (C_{Zap} = 100pF, R_{Zap} = 1500Ω).

Note 2: ESD2 performed in accordance with the Machine Model (C_{Zap} = 100pF, R_{Zap} = 0Ω).

STATIC ELECTRICAL CHARACTERISTICS (Characteristics noted under conditions $4.75\text{ V} \leq V_{DD} \leq 5.25\text{ V}$, $8.0\text{ V} \leq V_{SUP} \leq 25.0\text{ V}$, $-40^\circ\text{C} \leq T_A \leq 85^\circ\text{C}$, unless otherwise noted)

Characteristic	Symbol	Min	Typ	Max	Unit
----------------	--------	-----	-----	-----	------

SUPPLY

I _{SUP} Supply Current / Channel (not including I _{out}) DSIx0 = Idle Voltage, $-100\text{ mA} < I_{out} < 0\text{ mA}$ DSIx0 = Output High Voltage, $= I_{out} 12\text{ mA}$ DSIx0 = Output Low Voltage, $= I_{out} 12\text{ mA}$	I _{SUP1}	–		3.25	mA
	I _{SUPH}	–		6.50	mA
	I _{SUPL}	–		6.50	mA
I _{DD} Supply Current / Channel	I _{DD}	–		1.0	mA

BUS TRANSMITTER

V _{SUP} to DSIxO On Resistance (During Idle) I _{OUT} = -100 mA , V _{SUP} = 8V I _{OUT} = -100 mA , V _{SUP} = 25V	R _{DSON}	–		10	Ω
		–		10	Ω
Output High Voltage DSIx0 ($1\text{ mA} \leq I_{out} \leq -15\text{ mA}$)	DSIV _{OH}	4.175	4.5	4.825	V
Output Low Voltage DSIx0 ($-1\text{ mA} \leq I_{out} \leq -15\text{ mA}$)	DSIV _{OL}	1.325	1.5	1.675	V
Output High Side Current Limit	I _{CLH}	-100		-200	mA
Output Low Side Current Limit	I _{CLL}	110		220	mA
Input Leakage DSIxO when DSIxF is high and DSIxS is low ($0\text{ V} \leq \text{DSIxO} \leq \min(V_{SUP}, 16.5\text{ V})$)	DSI _I B	-200		50	μA

BUS RECEIVER

Return Current High	I _{RH}	5.0	6.0	7.0	mA
Receiver Low Pass Filter Corner Frequency, Single Pole (Note 3)	f _c	80	100	120	KHz

MICROCONTROLLER INTERFACE

Logic Input Thresholds DSIxS, DSIxF	V _{ITH}	1.10		2.20	V
Output High Voltage DSIxR pin = -0.5 mA	V _{OH}	$0.8 * V_{DD}$		V _{DD}	V
Output Low Voltage DSIxR pin = 1 mA	V _{OL}	0.0		$0.2 * V_{DD}$	V
Internal Pull-up for DSIxF	I _{IL}	-100		-10	μA
Internal Pull-down for DSIxS	I _{IH}	10		100	μA

Note 3: This parameter assured by design. It is not tested in production.

DYNAMIC ELECTRICAL CHARACTERISTICS (Characteristics noted under conditions $4.75\text{ V} \leq V_{DD} \leq 5.25\text{ V}$, $8.0\text{ V} \leq V_{SUP} \leq 25.0\text{ V}$, $-40^\circ\text{C} \leq T_A \leq 85^\circ\text{C}$, unless otherwise noted)

Characteristic	Symbol	Min	Typ	Max	Unit
----------------	--------	-----	-----	-----	------

MICROCONTROLLER INTERFACE

Microcontroller Signal Cycle Time	T _{cyc}	6.6		1000	μs
Microcontroller Signal Low Time	T _{cycL}	2.0		667	μs
Microcontroller Signal High Time	T _{cycH}	2.0		667	μs
Microcontroller Signal Duty Cycle for Logic Zero	DC _{Lo}	30	33	36	%
Microcontroller Signal Duty Cycle for Logic One	DC _{Hi}	60.0	66.7	72.0	%
Microcontroller Signal Slew Time	T _{Slew}	–		500	ns
Frame Start to Signal Delay Time	T _{Dly1}	T _{cyc} - 0.1	T _{cyc}	T _{cyc} + 0.1	μs
Signal End to Frame End Delay Time	T _{Dly2}	$2 * T_{cyc} / 3 - 0.1$	T _{cyc}	$2 * T_{cyc} / 3 + 0.1$	μs

BUS TRANSMITTER

Idle to Frame & Frame to Idle Slew Rate, C ≤ 10nF	t _{slew} (FRAME)	–	6.0	10.0	V/μs
--	---------------------------	---	-----	------	------

DYNAMIC ELECTRICAL CHARACTERISTICS (Characteristics noted under conditions $4.75\text{ V} \leq V_{DD} \leq 5.25\text{ V}$, $8.0\text{ V} \leq V_{SUP} \leq 25.0\text{ V}$, $-40^\circ\text{C} \leq T_A \leq 85^\circ\text{C}$, unless otherwise noted)

Characteristic	Symbol	Min	Typ	Max	Unit
Signal High to Low & Signal Low to High Slew Rate, $C \leq 10\text{nF}$	$t_{\text{slew}}(\text{SIGNAL})$	3.0	4.5	8.0	$\text{V}/\mu\text{s}$
Data Valid ($V_{SUPx} = 25\text{V}$, $C_L \leq 5\text{nF}$)					μs
DSIxS low to DSIxO = 5.5V	tDVLD1	2.44		6.90	
DSIxS low to DSIxO = 2.0V	tDVLD2	0.25		1.63	
DSIxS High to DSIxO = 4.0V	tDVLD3	0.25		1.63	

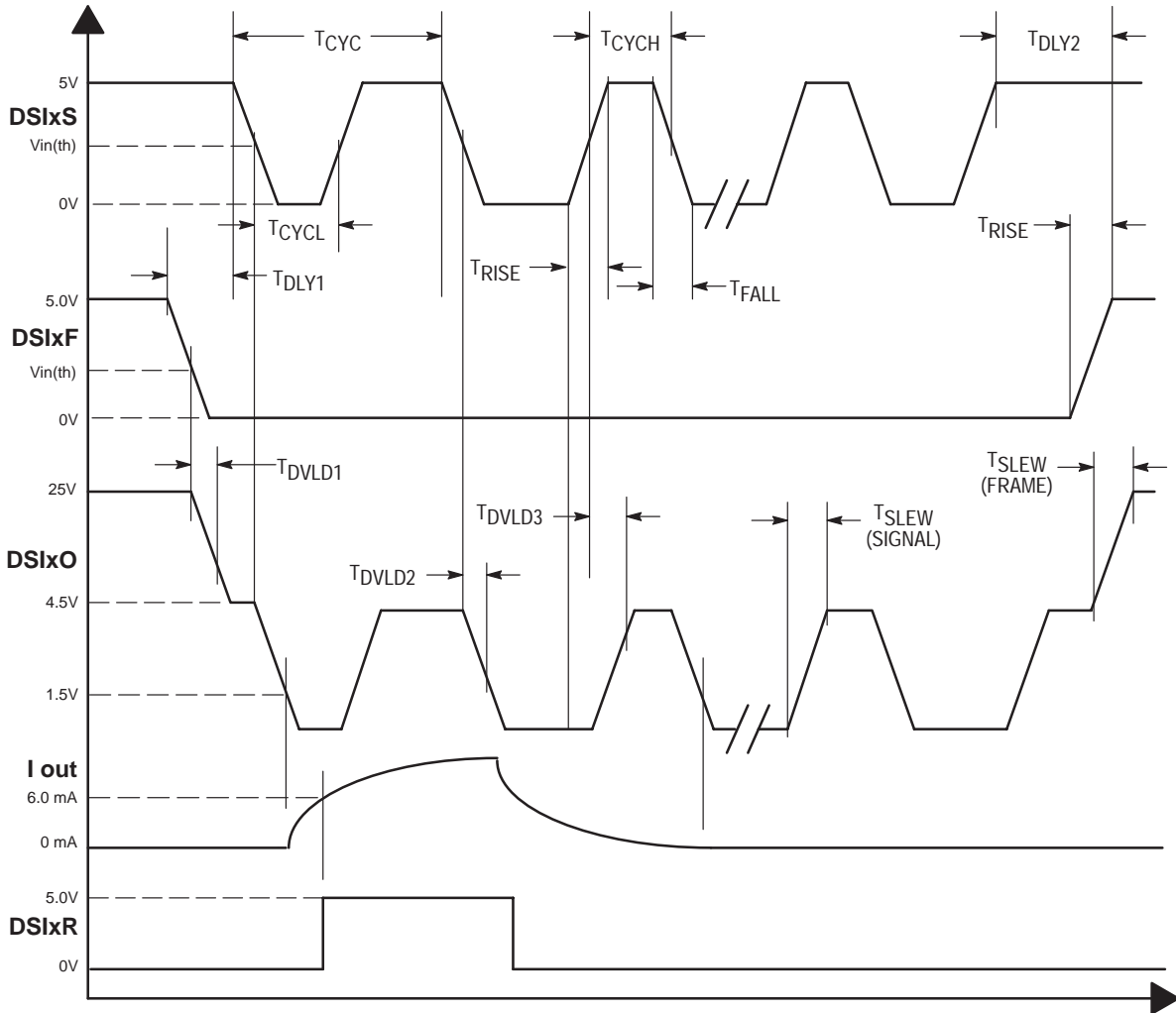


Figure 2. Timing Characteristics

FUNCTIONAL DESCRIPTION**BUS DRIVER AND RECEIVER**

The Pre-Driver circuit converts the 0 to 5 volt logic inputs from DS_{IxF} (frame) and DS_{IxS} (signal) to a signal on the DS_{IxO} output as shown in the timing diagrams of Figure 2 and

the truth table in Table 1. The Bus Current Sense detects the current being drawn by the device(s) on the bus during signalling (DS_{IxF} = 0). If the current is above a set level, DS_{IxR} will be high, otherwise, it is low.

Table 1 – DSI Bus Truth Table

DS _{IxF}	DS _{IxS}	T _{LIM}	DS _{IxR}	DS _{IxO}
0	0	0	Return Data	Low (1.5 V)
0	1	0	Return Data	High (4.5 V)
1	0	0	0	High Impedance
1	1	0	0	Idle $\geq V_{SUP} - 0.5V$
X	X	1	1	High Impedance

The DS_{IxO} output is capable of supplying a continuous current of up to 200mA during the Idle state, and a continuous current of 15mA during the transmission state (output low or output high). The current for the idle state is from the supply connected to V_{SUP} and this supply should not be current limited below 250 mA. During idle state, the voltage on the DSI bus will be very close to the V_{SUP} voltage.

Internal thermal shutdown circuitry individually protects the DS_{IxO} outputs from shorts to battery and ground.

Typically, the thermal shutdown occurs between 160°C and 170°C. If the junction temperature rises above this temperature, the output drivers for DS_{IxO} are disabled by the thermal shutdown circuitry. The output drivers remain off until the junction temperature decreases below approximately 155°C, at which time the thermal shutdown circuitry turns off

and the outputs are re-enabled. Each DS_{IxO} output shall have a unique thermal sense and shutdown circuit so a short on one channel does not affect another channel.

CHARGE PUMP

The Charge Pump uses on-board capacitors to step the input voltage up to the voltage needed to drive the on-board transmitter FETs. A filter/storage capacitor is connected to CPCAP to hold the stepped up voltage.

INPUT PULL-UPS AND PULL-DOWNS

Internal current pull-ups are used on the DS_{IxF} pins and pull-downs on the DS_{IxS} pins. If these pins are left unconnected, their associated DSI bus will go to the unused (high impedance) state.

APPLICATION INFORMATION

The MC33790 is intended for use in a DSI system. This device supplies the interface between standard logic levels and the voltage and current required for the DSI bus. Two independent DSI busses are supported by this part. The MC33790 does not form the timing for the DSI bus. This is done by logic either embedded in a micro-controller or by the MC68HC55 which uses SPI commands and forms DSI protocol for communications over the DSI bus.

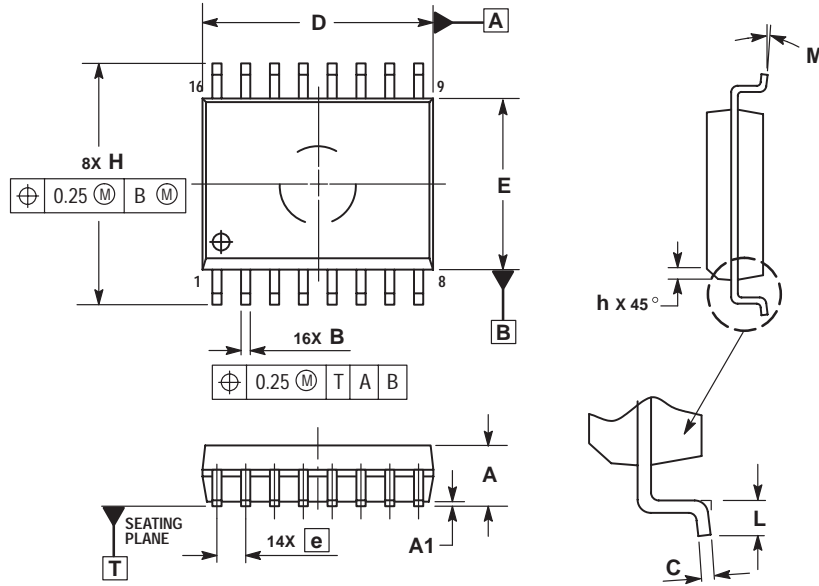
The pins from the MC68HC55 are made to line up with the

pins connecting to the MC33790. This includes all the DS_{InF}, DS_{InS}, and DS_{InR} pins.

A capacitor attached to CPCAP serves as a charge reservoir for the gate drive charge pump. This circuit creates a voltage which is higher than the source of the n-channel output transistor. This allows turning on the transistor enough to prevent any significant voltage drop across it. The rest charge pump electronics are completely self contained on the IC.

PACKAGE DIMENSIONS


DW SUFFIX
PLASTIC PACKAGE
16-LEAD SOIC WIDE BODY
CASE 751G-04
ISSUE C



NOTES:

1. DIMENSIONS ARE IN MILLIMETERS.
2. INTERPRET DIMENSIONS AND TOLERANCES PER ASME Y14.5M, 1994.
3. DIMENSIONS D AND E DO NOT INCLUDE MOLD PROTRUSION.
4. MAXIMUM MOLD PROTRUSION 0.15 PER SIDE.
5. DIMENSION B DOES NOT INCLUDE DAMBAR PROTRUSION. ALLOWABLE DAMBAR PROTRUSION SHALL BE 0.13 TOTAL IN EXCESS OF THE B DIMENSION AT MAXIMUM MATERIAL CONDITION.

DIM	MILLIMETERS	
	MIN	MAX
A	2.35	2.65
A1	0.10	0.25
B	0.35	0.49
C	0.23	0.32
D	10.15	10.45
E	7.40	7.60
e	1.27 BSC	
H	10.05	10.55
h	0.25	0.75
L	0.40	1.00
M	0°	7°

Motorola reserves the right to make changes without further notice to any products herein. Motorola makes no warranty, representation or guarantee regarding the suitability of its products for any particular purpose, nor does Motorola assume any liability arising out of the application or use of any product or circuit, and specifically disclaims any and all liability, including without limitation consequential or incidental damages. "Typical" parameters which may be provided in Motorola data sheets and/or specifications can and do vary in different applications and actual performance may vary over time. All operating parameters, including "Typicals" must be validated for each customer application by customer's technical experts. Motorola does not convey any license under its patent rights nor the rights of others. Motorola products are not designed, intended, or authorized for use as components in systems intended for surgical implant into the body, or other applications intended to support or sustain life, or for any other application in which the failure of the Motorola product could create a situation where personal injury or death may occur. Should Buyer purchase or use Motorola products for any such unintended or unauthorized application, Buyer shall indemnify and hold Motorola and its officers, employees, subsidiaries, affiliates, and distributors harmless against all claims, costs, damages, and expenses, and reasonable attorney fees arising out of, directly or indirectly, any claim of personal injury or death associated with such unintended or unauthorized use, even if such claim alleges that Motorola was negligent regarding the design or manufacture of the part. Motorola and  are registered trademarks of Motorola, Inc. Motorola, Inc. is an Equal Opportunity/Affirmative Action Employer.

MOTOROLA and the Stylized M Logo are registered in the US Patent & Trademark Office. All other product or service names are the property of their respective owners. © Motorola, Inc. 2001.

How to reach us:

USA/EUROPE/Locations Not Listed: Motorola Literature Distribution; P.O. Box 5405, Denver, Colorado 80217. 1-303-675-2140 or 1-800-441-2447

JAPAN: Motorola Japan Ltd.; SPS, Technical Information Center, 3-20-1, Minami-Azabu, Minato-ku, Tokyo 106-8573 Japan. 81-3-3440-3569

ASIA/PACIFIC: Motorola Semiconductors H.K. Ltd.; Silicon Harbour Centre, 2 Dai King Street, Tai Po Industrial Estate, Tai Po, N.T., Hong Kong. 852-26668334

Technical Information Center: 1-800-521-6274

HOME PAGE: <http://www.motorola.com/semiconductors/>



SUNSTAR 商斯达实业集团是集研发、生产、工程、销售、代理经销、技术咨询、信息服务等为一体的高科技企业，是专业高科技电子产品生产厂家，是具有 10 多年历史的专业电子元器件供应商，是中国最早和最大的仓储式连锁规模经营大型综合电子零部件代理分销商之一，是一家专业代理和分销世界各大品牌 IC 芯片和电子元器件的连锁经营综合性国际公司，专业经营进口、国产名厂名牌电子元件，型号、种类齐全。在香港、北京、深圳、上海、西安、成都等全国主要电子市场设有直属分公司和产品展示展销窗口门市部专卖店及代理分销商，已在全国范围内建成强大统一的供货和代理分销网络。我们专业代理经销、开发生产电子元器件、集成电路、传感器、微波光电元器件、工控机/DOC/DOM 电子盘、专用电路、单片机开发、MCU/DSP/ARM/FPGA 软件硬件、二极管、三极管、模块等，是您可靠的一站式现货配套供应商、方案提供商、部件功能模块开发配套商。商斯达实业公司拥有庞大的资料库，有数位毕业于著名高校——有中国电子工业摇篮之称的西安电子科技大学（西军电）并长期从事国防尖端科技研究的高级工程师为您精挑细选、量身订做各种高科技电子元器件，并解决各种技术问题。

更多产品请看本公司产品专用销售网站：

商斯达中国传感器科技信息网：<http://www.sensor-ic.com/>

商斯达工控安防网：<http://www.pc-ps.net/>

商斯达电子元器件网：<http://www.sunstare.com/>

商斯达微波光电产品网：[HTTP://www.rfoe.net/](http://www.rfoe.net/)

商斯达消费电子产品网：<http://www.icasic.com/>

商斯达实业科技产品网：<http://www.sunstars.cn/>

传感器销售热线：

地址：深圳市福田区福华路福庆街鸿图大厦 1602 室

电话：0755-83370250 83376489 83376549 83607652 83370251 82500323

传真：0755-83376182 (0) 13902971329 MSN: SUNS8888@hotmail.com

邮编：518033 E-mail:szss20@163.com QQ: 195847376

深圳赛格展销部：深圳华强北路赛格电子市场 2583 号 电话：0755-83665529 25059422

技术支持：0755-83394033 13501568376

欢迎索取免费详细资料、设计指南和光盘；产品凡多，未能尽录，欢迎来电查询。

北京分公司：北京海淀区知春路 132 号中发电子大厦 3097 号

TEL: 010-81159046 82615020 13501189838 FAX: 010-62543996

上海分公司：上海市北京东路 668 号上海赛格电子市场 2B35 号

TEL: 021-28311762 56703037 13701955389 FAX: 021-56703037

西安分公司：西安高新开发区 20 所(中国电子科技集团导航技术研究所)

西安劳动南路 88 号电子商城二楼 D23 号

TEL: 029-81022619 13072977981 FAX:029-88789382